

CZECHGUN.COM

CZECHGUN GLADIATOR[®] .45 SCP

-- Super Compact Percussion --

Percussion double-shot pistol
(category D firearm by Czech republic Law)

INSTRUCTION MANUAL

A LIST OF COMMON SPARE PARTS TO ORDER

1. Percussion cap nipples – 2 pieces set
2. Firing pin with spring – 2 pieces set
3. Container pin - 1 piece
4. Side bolts – 4 pieces set
5. Percussion cap nipples wrench - 1 piece
6. Percussion bullet starter - 1 piece
7. Screwdriver for service type TX8 - 1 piece



ACKNOWLEDGMENTS

Thank you for purchasing this product. We are proud that we can offer you this product which is designed and manufactured at the top level and according to strict quality standards. We are sure that you will enjoy its first class design, high reliability, user comfort and absolute safety of our products.

THE FIRST SAFETY WARNING

The gun has to be discharged before any handling! Never make any amateur modifications of the gun, nor the accessories. Never install any additional accessories to increase the power or utility value of the gun. Never make an amateur repair of the gun. If it is necessary to professionally repair or perform professional maintenance of the gun, this activity must be exclusively carried out by trained gunsmith. Breach of these warnings increases the possibility of accidents leading to death or serious injury! Breach of this requirements results in the loss of warranty.

!! IMPORTANT SAFETY WARNING !!

- 1. ALWAYS HANDLE WITH THE GUN AS IF IT WAS LOADED!**
- 2. ALWAYS KEEP YOUR FINGERS OFF THE TRIGGER!**
- 3. ALWAYS AIM THE GUN IN A SAFE SPACE, NEVER AIM AT ANYBODY!**

4. Always store the gun uncharged and separately from ammunition components

5. Never let the gun unattended, keep it out of the reach of children and unauthorised persons

6. Wear ear protection and safety glasses when shooting

7. Before and during the shooting never drink alcoholic beverages, drugs or medicines reducing your skills

During the use of the gun you are responsible for your safety and the safety of others around you!

THE PURPOSE OF THIS PISTOL

This pistol is intended for fun and sporting shooting at shooting ranges or for self-defence use at a very short (contact) distance. The possession and carriage of this pistol is allowed by the Czech Law to the subjects over 18 years only (keep the law of your country). Anyway by using the firearm there is necessary to comply implicitly with the valid laws of the use of percussion firearms and all firearms in general.

WARNING! The conditions of the possession, carrying and use of the firearms are strictly specified in the national legal order. As the owner and user of the firearm you are OBLIGED to follow them implicitly!

VERY IMPORTANT WARNING!

**THE CONDITIONS OF THE USE OF THE GUN IN TERMS OF THE
DESTITUTION AND PRIVATE DEFENCE ARE STRICTLY SPECIFIED
IN THE NATIONAL LEGAL ORDER.**

AS THE USER OF A GUN YOU ARE OBLIGED TO RESPECT THEM!

PREPARING FOR THE FIRST USE OF THE PISTOL

Remove the pistol from the shipping box and carefully check its integrity and consistency. Then unlock the barrel by pushing the button and check its consistency and correct mounting of the percussion cap nipples at the barrel end. Check the tightening of the percussion cap nipples in the barrels. If the percussion cap nipples are not installed in the pistol, mount them and tighten them. The tightening torque of the nipples is 35 Nm. With the unloaded barrel and opened gun, pull the trigger twice to test the function of the gun mechanism. After this test of perfect condition, the pistol can be charged.

WARNING! Never pull the trigger idly, when the barrel is closed!

STRIKE OF THE FIRING PIN IN THE PERCUSSION NIPPLE WITHOUT THE PERCUSSION CAP ALWAYS LEADS TO IRREVERSIBLE DAMAGE OF THE NIPPLE AND FIRING PIN.

This damage, caused by the firearm user will cause unreliability or malfunction of the firearm and is in no way covered by the factory warranty.

CHARGING OF THE GUN

WARNING! During handling with the firearm always aim in the safe space. Always hold the fingers off the trigger.

1. Hold the gun, release the barrel with the button and then open it in the loading position.
2. Thoroughly make sure that the barrel is uncharged, clean, dry and free from oil, the nipples are clean, through and **without percussion cap**.
3. By using a special dispenser pour a premeasured quantity of black powder in the barrel (see. Charging table). **Do not pour the powder in the barrel directly from the original container; there is not a guarantee of the exact charging!**
4. Insert the wadding or patch and charge the spherical bullet lightly lubricated with the grease, or directly charge the lightly lubricated ogival bullet without the wadding and patch. With a slight pressure of the bullet starter plug the bullet (optionally with the wadding) to the gun powder.
5. With the same procedure charge the other barrel.
6. Then put the percussion caps on the cap nipples and **carefully close the barrel** of the gun. Never close the barrel with fierce movement. There is a threat of the barrel

lock damage.

7. Now the gun is charged and ready to fire.

SHOOTING

WARNING! Never cover the exhaust holes at the barrel sides with fingers or anything else!

1. Make sure that in the target area there is no person or animal.
2. Hold the gun firmly and point it in the target area. Do not touch the trigger!
3. Shortly before the shot, move the forefinger on the trigger.
4. Pull the trigger with the smooth motion. After firing one barrel pull the trigger for the second time, for the shot from the second barrel.

Keep in mind that the charged firearm fires ALWAYS after pulling the trigger!

After firing, take off the gun and after five minutes waiting you can charge it again according to the charging instructions.

THE MISFIRE OF THE SHOT

WARNING! During the firearm handling, charging and discharging, always aim in the safe space. Always hold the fingers off the trigger.

1. If there is no shot of one of the barrels by reason of the percussion cap – cannot hear the cap priming

This fault is caused usually by the cap defective from the production or wet of oiled or because of atmospheric humidity.

By permanent aiming of the gun in a safe space, wait at least **thirty seconds**. Then you can open the barrel, remove the used cap, set a new cap and close the barrel again. Be careful, the second barrel can be still charged, therefore operate very carefully. After removal of the gun defect, try to fire again.

WARNING! During the firearm handling, charging and discharging, always aim in the safe space. Always hold the fingers off the trigger.

2. If there is no shot by reason of the misfire of the powder load – you can hear the priming of the percussion cap

This fault is caused usually by the inappropriate, missing or wet powder of oil or atmospheric humidity. Further the blast hole in the nipple can be blocked.

Make sure that the second barrel is fired and by permanent aiming of the gun in a safe space, wait at least **five minutes**, then remove the caps of the nipples and by the use of the wrench unscrew the nipple of the misfired barrel. Pour out the powder off the barrel and with a wood or bronze stick push out the misfired shot towards the barrel muzzle. Then carefully clean the barrel and nipple, reassemble them and charge again. After the removal of the fault, try to reload the gun and shoot.

WARNING! During the firearm handling, charging and discharging, always aim in the safe space. Always hold the fingers off the trigger.

3. If there is no cap priming and there is only a light print on the cap or no print of the firing pin

This fault is typically caused by a large pollution of the firing pin container or by great wear of the firing pin or nipple.

By permanent aiming of the gun in a safe space, wait at least **thirty seconds**, then remove the caps from the nipples and by the use of the wrench unscrew the nipples of both barrels. Pour out all the powder off the misfired barrel or barrels and with a wood or bronze stick push out the misfired shot/shots towards the barrel muzzle. Then carefully clean the barrels and nipples and reassemble them. Do not charge the gun! Then clean both the firing pin containers as described in the part of maintenance of the gun. After finishing these operations reload the gun and try to shoot. If after these the malfunction will continue, discharge it, clean the barrels and contact the Factory Service Centre for replacement of the worn parts.

PROPER AMMUNITION AND CHARGING INSTRUCTION

WARNING! NEVER charge the firearm with smokeless gunpowder.

Use only the factory made black powder, designed for percussion firearms and matching the C.I.P. standards or the black powder approved for this reason by the Czech Proof House for Arms and Ammunition. Pour the black powder in the barrel by using a special dispenser in a premeasured quantity. Do not pour the powder directly from the original container! If you are not sure with the amount of the black powder dosage, you'd better pour it out and prepare a new, safely measured dose. Never charge too small or too large quantity of the black powder.

Use the lead projectiles designed for percussion firearms only. The projectiles must be of appropriate diameter so called calibre. The assigned calibre value is stamped at the gun barrel, i.e. in this case calibre .45 or 11,4 mm. The ogival bullets designed for this calibre must have a slight overlap of the diameter. When charging the barrel they will calibrate (trim to the proper size).

Charging table – charges recommended and tested by the producer

Type of the bullet	Type of powder	Charge of powder (weight)	The bullet velocity (3m from the muzzle)	The bullet energy (3m from muzzle)	Notice
Ogival bullet CG 13 g.	Vesuvit LC	1 gramme	139 m/s	126 J	The recommended charge
Ogival bullet CG 13 g.	Vesuvit LC	1,25 grams	147 m/s	141 J	
Ogival bullet CG 13 g.	Vesuvit LC	1,6 grams	158 m/s	163 J	

Ogival bullet CG 13 g.	Vesuvit LC	2 grams	169 m/s	186 J	
Ogival bullet Real 16 g.	Vesuvit LC	1 gramme	133 m/s	142 J	The recommended charge
Ogival bullet Real 16 g.	Vesuvit LC	1,6 grams	160 m/s	205 J	
Spherical bullet 11,3 mm with patch	Vesuvit LC	1,8 grams	x	x	Not measured

In the case of own charges it is recommended to follow the rule "1/10" – the weight of the charged powder should be at maximum one tenth of the bullet. I.e. when you use the bullet in the weight of 10 grams it is proper to pour the black powder weighting max. 1gramm.

WARNING! As the black powder from different producers can vary, **ALWAYS** make sure, that you use the powder, which is designed for percussion firearms and **ALWAYS** make enquiry at the producer concerning the correct dosage.

Notice: For measuring the powder you can use e.g. the fired cartridges. The weight of the powder Vesuvit LC poured to the rim of the 9mm Luger cartridge is c.1 gram. The weight of the powder Vesuvit LC poured to the rim of the .45ACP cartridge is c. 1,8 gram. Before using of these improvised measures always carefully check the real weight of the powder from these improvised measures.

REMINDER! – Weight of bullets and weight of powder are given in two different units: grams (g.) and grains (gr.). 1 gram = 15,432 grain. **Never interchange these two units!**

CLEANING AND MAINTENANCE OF THE GUN

WARNING! Neglect of cleaning the gun influences radically the operational reliability of the gun.

The gun is made of high quality materials, particularly from high grade steel, very durable duralumin alloy class 7075 T6 and first class plastics and requires a relative low maintenance only, which is of course essential for the reliability of the gun.

Cleaning intervals and necessary maintenance rate may vary in different cases and depend on many circumstances. The decisive factors are in particular the quality and chemical composition of the gunpowder, which specify what amount of the solid combustion products intrude in the gun mechanism.

The maintenance intervals mentioned below therefore consider as the minimum recommended only and adapt them flexibly to the individual conditions of the running of the gun and the degree of the fouling.

The gun maintenance consists mainly of following three simple and basic operations:

1. Cleaning of the barrel with nipples

Release the barrel and screw out the nipples. Then clean all parts with brushes and sharp scrapers. Do not use steel tools; there is a risk of scratches of the barrels and nipples. Use brass or bronze tools.

2. Removing and cleaning of the two containers with firing pins

With use of the screwdriver TX8 screw out and remove the securing pin of the firing pins container. To make the dismounting of the container easy, loose with the same screwdriver **two back screws at the left part** of the gun. Do not disassemble the gun. Take out the containers, disassemble them and clean carefully from the carbon deposits. Wipe with a cloth also the container seating in the gun. Then lightly lubricate the parts of the container with gun oil and in reverse process put them together and mount them in the gun.

3. Cleaning of the outer surface of the gun frame

With use of a brush and piece of cloth clean the frame from mechanical impurities. Carefully clean especially the folds and inside corners of the frame. This operation does not need any disassembling. Do not use compressed air.

CLEANING POLICY

WARNING! Before any manipulation with the firearm always make sure that it is safely discharged.

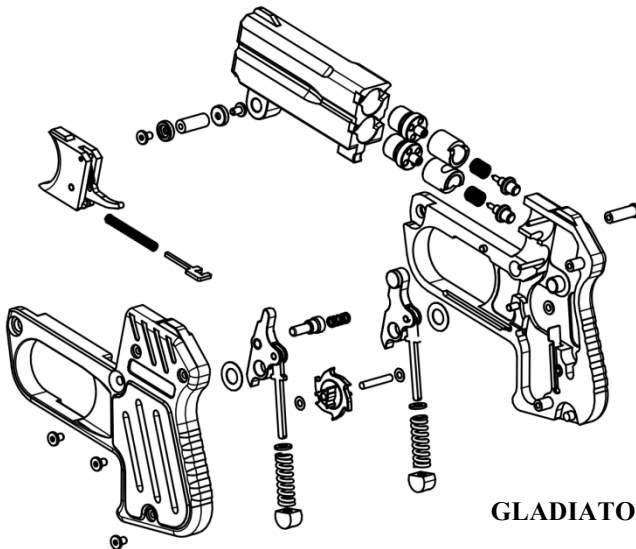
1. Perform the cleaning and maintenance of the gun after each firing, at the latest according to the specifications in the lubricating instructions table. Avoid "sticking" of the shooting remains in the firing mechanism and you ensure the reliable function of the gun.
2. After each shot check visually the amount of dirt and carbon in the gun and carefully remove them.
3. Lightly lubricate all metal surfaces with suitable preservative oil after each cleaning. Use a very small amount of oil only, the gun shouldn't be wet!
4. Wipe the cap nipples after each cleaning dry and lubricate the threads lightly with special graphite grease. Check visually if the hollow in the cap nipples is clear.

5. Avoid the intrusion/falling of solid objects in the gun mechanism. If the internal mechanism of the gun is dirty (irregular or fault operation) contact the Factory Service Centre.
6. Always after cleaning or before charging check the gun carefully, make sure if it is consistent, clean and free of excess quantity of lubricants.
7. Never completely disassemble the gun for routine cleaning. The maintenance and great cleaning of the internal parts should be performed, if necessary, by a licenced gunsmith.

WARNING! After each disassembly of the gun and its subsequent assembly, always make sure, that no parts in the gun are missing and all are correctly fitted in the right place. At the same time make sure, that all screws are tightened well.

Non-performance of this warning increases the possibility of gun malfunction and accidents leading to death or serious injury!

THE DRAWING OF THE GUN DISASSEMBLED FOR GREAT CLEANING



GLADIATOR .45 rev. C2

Lubrication chart

Lubricating point	Lubricating interval	Lubricant	Lubricating instructions
Containers with firing pins	After firing 10 rounds from each barrel	High quality non sintering gun oil that effectively dissolves carbon deposits	After careful mechanical cleaning apply a slight film of oil at the oiled parts and put them back in the gun
Barrel	After each firing, at the latest after firing 50 rounds from each barrel		After screwing out the nipple clean the barrel with a brush and remove carbon from all surfaces. Then with a cloth apply a slight oil film.

Nipples	After each firing, at the latest after firing 50 rounds from each barrel	Standard graphite grease	After mechanical cleaning of the nipple apply at the nipple thread slight film of grease and screw it into the barrel
---------	--	--------------------------	---

Very suitable, tested and recommended by the gun producer lubrication oil for the gun maintenance is the Motorex Gun Care or Ballistol.

Also tested is the oil Konkor 101, that can be used if the specialised oil is absent.

The condition for the oil selection is its ability to dissolve effectively the fouling after the shooting and resist the thermal degradation. Some oils burn spontaneously and create own deposits. These oils significantly reduce the operational reliability - the number of shots without gun cleaning drops and we explicitly do not recommend them.

ACCESSORIES

The gun can be equipped with a number of useful accessories from the Czechgun original series. Particularly we recommend the following:

Fabric belt holster – compact and budget priced holster

Leather belt holster – luxury classic from genuine leather

Cleaning kit small – smart set of three brushes in a practical case

Large cleaning and charging set – complete set for maintenance and charging

Loading press Professional – perfect solution for frequent charging

Large maintenance set – complete set of all small parts of the gun

This and other accessories can be ordered in our e-shop:

WWW.CZECHGUN.COM

Technical specification

Firearm type	Percussion double-shot pistol – category D
Caliber, type of percussion cap	.45 (11,4 mm) / percussion caps 4 mm
Frame (material, colour)	High strength duralumin 7075 T6 / black anodized
Barrel (boring, material, colour)	Smooth bore / high-quality steel / black finish
Trigger mechanism function	DAO - Double Action Only
Safety elements	Fully covered primers, spring loaded firing pins, hidden strikers, striking spring automatically stretched shortly before the shot, long trigger travel with high trigger weight
Net weight	559 grams
Length of the barrel block	79 mm
Overall dimensions (l/w/h)	143x20x102 mm (width in grips 22 mm)

LIFETIME WARRANTY

To the first buyer we provide on this firearm the lifetime warranty on production and material defects. The defective gun will be repaired or replaced free of charge.

The warranty does not cover the damage caused by improper assembly or improper use and it is limited by the number of 1000 shots.

The warranty also does not apply to aesthetic defects in surface coating and natural wear and tear and parts having of course shorter working life than the working life of the whole firearm. Specifically this are springs, firing pins, percussion nipples and part that are exposed to strikes and strokes.

For granting the lifetime warranty you have to complete the registration form, which is included with the product and send it back to the firearm producer. The form pattern can be downloaded from the website www.czechgun.cz.

PRODUCER DECLARATION

The producer disclaims ANY liability for injury or damage arising in any way (concerning death or injury) as a result of improper or incorrect use of the weapon. Every person using this weapon or participating in any activity related to the use of this weapon may do so only on clear understanding of the condition that do so at own risk.

The producer disclaims ANY liability for the parts that were not supplied by the producer, or have been delivered by him, but were not professionally mounted by the producer or incensed service centre, which was entitled to this on the basis of written agreement with the producer. The producer disclaims ANY responsibility for the service works that have not been performed by the producer.

© CZECHGUN.COM

All rights reserved. It is intended only for the personal use of the owners of the products, supplied by the manufacturer or its authorized dealers. Without the prior written consent of the manufacturer is prohibited any further publication, reprinting or distribution of any material or part of the material of this manual, and including dissemination via electronic mail, SMS messages and MMS messages. Furthermore, it is prohibited the inclusion of such materials or their parts to frames or copying over to the IC or other private networks and including storage in any databases.

www.czechgun.com